

ENGEL

E SERIES MODELS

MRFT515E-G4

MT15E-G3

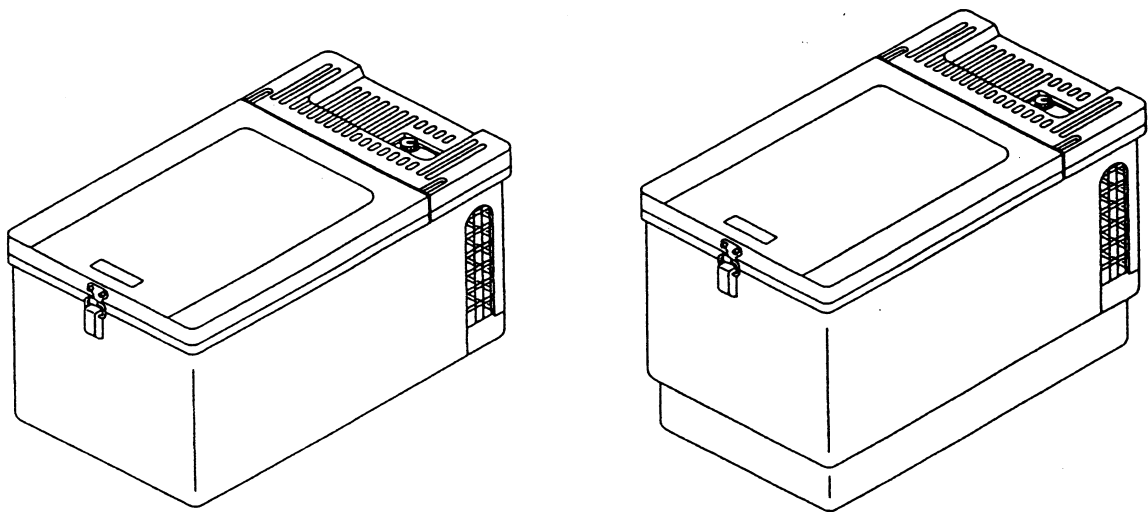
MRFT525E-G4

MT25E-G3

MT15E-G3-SA

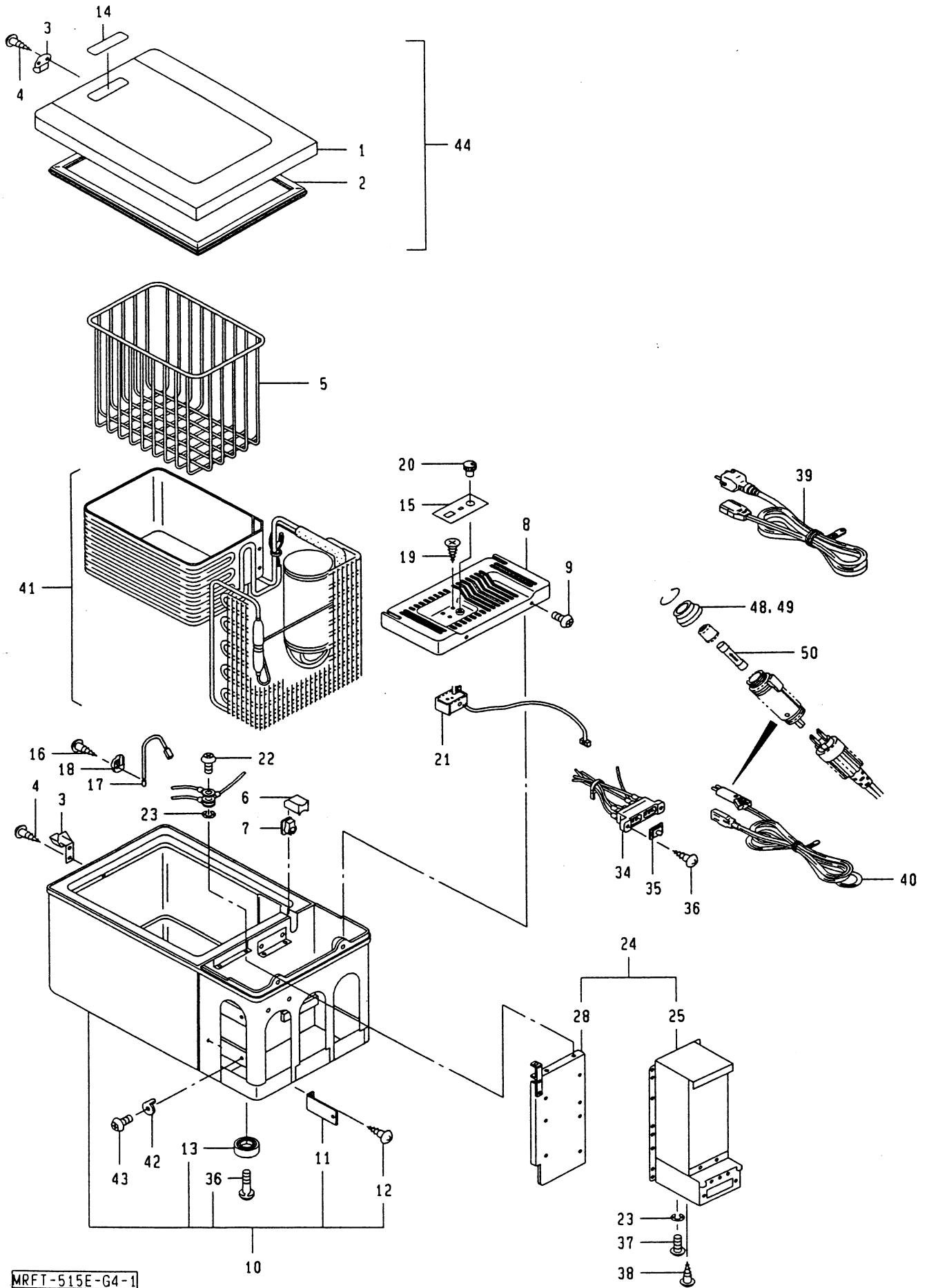
MT25E-G3-SA

PARTS LIST



SERVICE CODE : QP - 01

SAWAFUJI ELECTRIC CO., LTD.



MRFT-515E-G4-1

Model : MRFT515E (MT15E)
MRFT525E (MT25E)

Illustration Number	Japanese Part Number	Description	Australian Part Number
1	1600 062 40	Door Assembly (with Gasket) (G4, SA)	515DGREY
2	4148 008 10	Gasket	515DG
3	6260 005 00	Latch Assembly	514DLA
4	8083 034 122	Tapping Screw	
5 - 1	5230 010 10	Basket (15 Litre)	515B
5 - 2	5230 031 00	Evaporator Guard (21 Litre)	525EG
5 - 3		Basket (21 Litre)	525B
6	4221 010 00	Cover Pipe	515EVAPPC
7	4120 133 00	Bushing	515EVAPPS
8	3480 013 00	Cover Assembly	515CCA
9	8000 040 083	Screw	
10 - 1	1600 301 10	Cabinet Assembly (15 Litre) (G4, SA)	515DCAB
10 - 2	1600 269 10	Cabinet Assembly (21 litre) (G4, SA)	525CAB
11	3042 052 00	Support	
12	8083 043 121	Tapping Screw	
13 - 1	4120 057 00	Cushion (15 Litre)	515ACF
13 - 2	4120 005 00	Cushion (21 Litre)	
14	5450 076 30	Engel Mark	MRFTDNP
15	5450 261 12x9	Mark (Thermostat)	515CTCP
16	8080 042 062	Tapping Screw	
17	6055 054 10x9	Evaporator Thermistor	T515EVAP-E
18	4223 050 00	Holder	TH
19	8081 044 121	Tapping Screw	
20	1602 067 00	Dial Assembly	TDK
21	1601 144 00x9	Temperature Control Assembly	TC515E
22	8000 040 121	Screw	
23	8340 040 001	Toothed Lock Washer	
24 - 1	1601 142 10x9	Power Supply (15 Litre)	
24 - 2	1601 143 10x9	Power Supply (21 Litre)	
25	1601 138 10x9	Power Supply	PS515E
28 - 1	1632 098 00	Plate Assembly (15 Litre)	PSP515
28 - 2	1632 099 00	Plate Assembly (21 Litre)	PSP525
29	6451 074 00	Fastener	
30	8084 043 081	Tapping Screw	
34	1632 055 02	Terminal Block	560ATB
35	4221 020 01	Cover	
36	8085 034 101	Tapping Screw	
37	5000 013 00	Screw	
38	8070 043 101	Tapping Screw	
39	1912 133 60	AC Cord Assembly (G4)	KCORD
40	1912 388 00x9	DC Cord Assembly (G4, SA)	JCORD
41	1610 079 30	Cooling Unit (HFC-134a)	515/525CU
42	3220 053 10	Holder	
43	8071 043 163	Tapping Screw	
44	1600 062 40x9	Door Complete	515DGREY
48	4229 015 00x0	Cap (DC Cord - Japan / America)	
49	4229 015 10x0	Cap (DC Cord - Europe)	
50	1603 002 00x9	Special Thermal Fuse	12VFUSE
		Cushion Swing Motor Grommet	SMCG
		Cushion Swing Motor Grommet Top	SMCGT
		Speed Nut Swing Motor	SNSM
		Evaporator	515EVAP
		Suction Pipe Assembly	515SPA