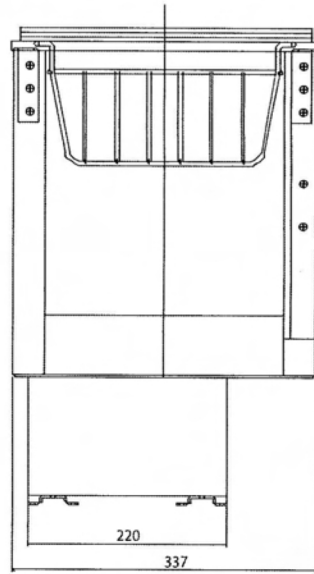
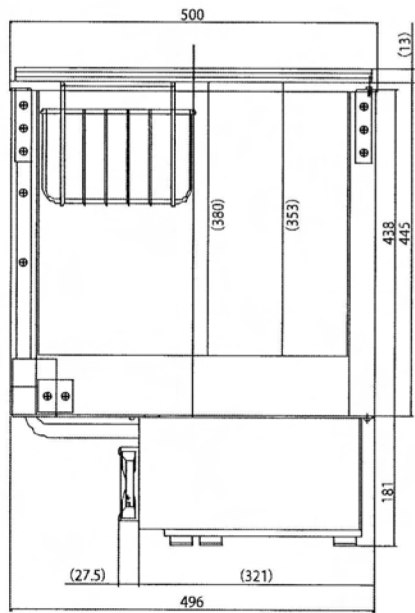
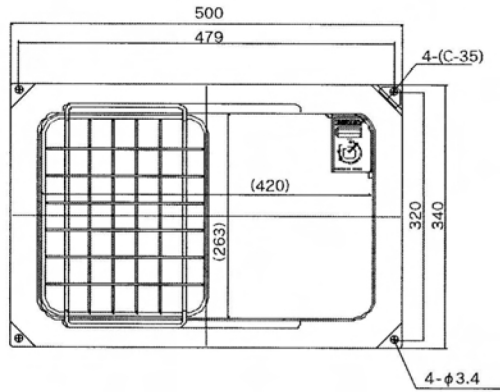


PRODUCT DIMENSION

① MB40V-A, MB40V

※The figure below is reference dimensions.



PRODUCT DIMENSION

② MB40V-AH, MB40V-H

※The figure below is reference dimensions.

