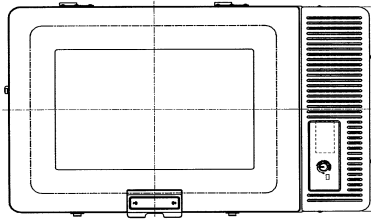


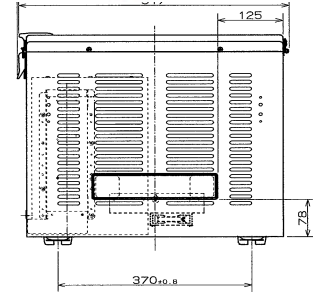
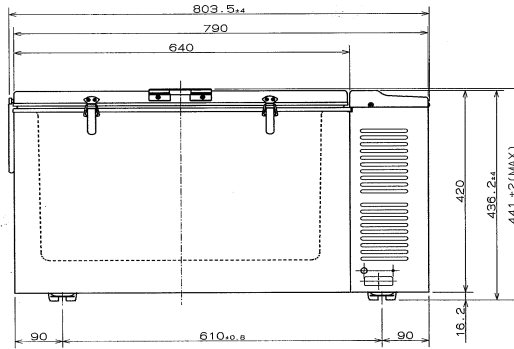
ENGEL

portable fridge-freezers

A LEGEND IN RELIABILITY



MT60F-S



TECHNICAL SPECIFICATION SHEET

FEATURES:

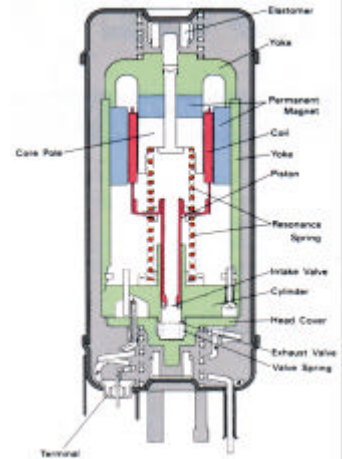
100% CFC Free
 Thermostat Controlled
 Energy Efficient Sawafuji Swing Motor
 Low DC Current Draw: 12V 4.5 Amps
 Digital Temperature Gauge
 Silver Metallic Finish

Automatic Voltage Selection AC / DC
 Generator & Solar Panel Compatible
 Strong Construction
 Compact & Lightweight
 Noise Level: 32dB
 Polyurethane Insulation

Right Angle DC / AC Leads
 Turbo Fan
 Carry Handles
 Stainless Steel Door Latches
 3 Year Manufacturers Warranty

SPECIFICATIONS:

Storage Volume:	Litres	60 Litres (80 x 375mm Cans)
Exterior Dimensions:	H x W x D	441mm x 790mm x 490mm
Interior Dimensions:	H x W x D	310mm x 510mm x 390mm
Exterior Finish:	Door	Melamine Coating Steel Plate
	Cabinet	
Interior Finish:	Door	A.B.S. Resin
	Cabinet	
Insulation:		Polyurethane (C.F.C. Free)
Input Voltage:	AC	AC 185 ~ 264V, 50/60Hz
	DC	DC 10.5 ~ 32V
Rated Amperage:	AC	AC 0.7A
	DC	DC 12V 4.5A, 24V 2.3A
Compressor Rating:		AC 13 ~ 16V, 50Hz, 48W
Refrigerant:		Tetrafluoroethane (R-134a)
Weight:		33kg



Sawafuji Swing Motor

ACCESSORIES:



Transit Bag - TBAG560G



Fridge Slide - 560SLIDE

Small Basket - SB560



Transit Base - TB60FWP



Tie Down Brackets - TDB560



12 Volt Panel - APAN/ASPAN/BPAN