

12 Volt
Battery
Charger



DATA SHEET / INSTALLATION INSTRUCTIONS

12 Volt DC Electronic Battery Charger

The 12VDC Battcharger is an electronic battery charger designed to charge Lead Acid Batteries from a 12 Volt DC vehicle battery. The charger uses its unique boost charge feature, stepping up to a charge rate allowing the auxiliary battery to properly charge and with its voltage sensing feature via the ignition circuit ensuring the main battery charge is not depleted while the vehicle is not running. The charging time will vary depending on the size of the battery, but generally a normal day of driving is sufficient. It is universally suited to all 12 Volt Negative Earth electrical systems in vehicles, boats, caravans and mobile homes.

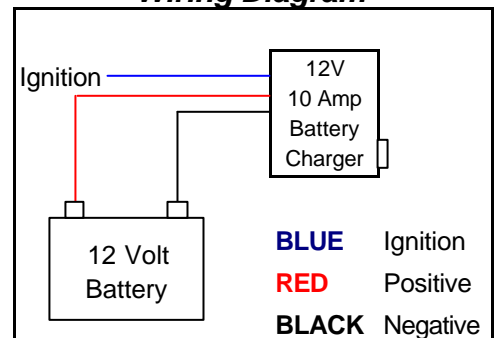
FEATURES:

- Boost Charging** - Increases the voltage from the main battery allowing an auxiliary Lead Acid battery to properly charge within an average days driving.
- Reverse Polarity Protection** - Protects the unit from reverse polarity damage from incorrect wiring.
- Current Limiting** - Protects against the charger being overloaded.
- Overload Protection**
- Simple Installation** - Easy 3 wire installation.

SPECIFICATIONS:

Electrical System Type:	12V Negative Earth
Charging System Suitable For:	10 Amps
Current Limiting:	10A +/- 0.5A
Reverse Polarity Protection:	Yes
Overload Protection:	Yes
Input Connections: 2 Fly Leads	Yes
Output Connection: 2 Pole Socket	Yes
Dimensions: L x W x H (mm)	90 x 135 x 40
Weight:	450 grams

Wiring Diagram



NOTE:

- 1 Ensure that all connections are made prior to activating charger.
- 2 Batteries that have not been charged and used for extended periods will require a full cycle charge with a 240 Volt AC Charger.
- 3 Ensure the correct polarity of the plug when wiring your battery pack charge lead.

For Further Information, please call the Engel Customer Service Hotline

1300 302 653

* Due to our policy of continuous product improvements, specifications may be changed without notice