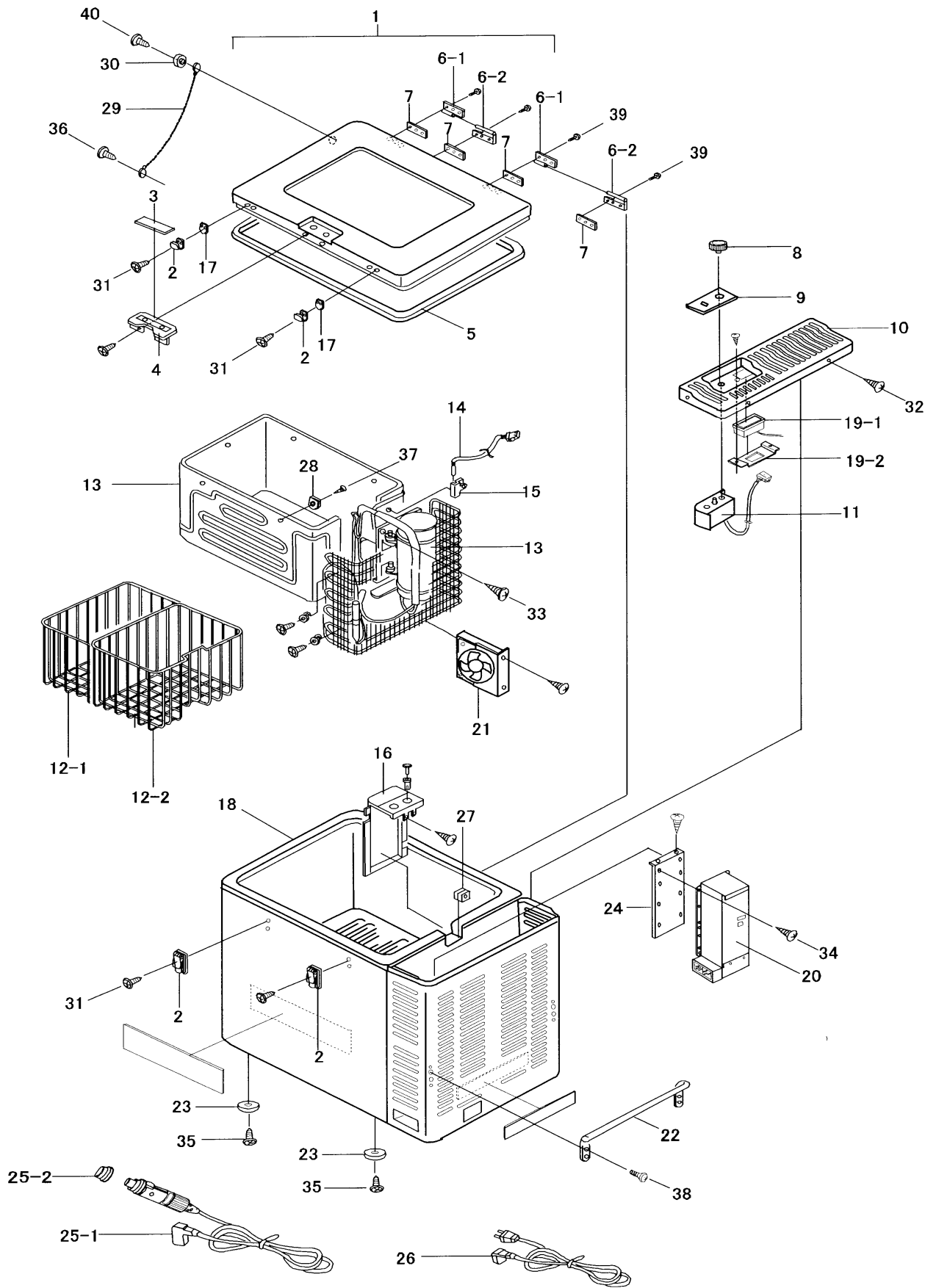


MT80F



Model : MT80FS

Illustration Number	Japanese Part Number	Description	Australian Part Number
1	1600 048 80X9	Door Assembly	60DS
2	6260 008 00X9	Latch Assembly	560DLA
3	5450 821 00X9	Mark	MRFTDNP
4	4225 004 01X0	Door Handle	530DHA
5	4148 008 00X9	Gasket	560DG
6 - 1	3221 176 00X9	Hinge Assembly	DH560
6 - 2	1609 061 00X9	Hinge Assembly	DHP560
7	4301 118 10X0	"I" Plate	560DHPL
8	1602 067 00X8	Dial Assembly	TDK
9	5450 891 20X9	Mark	60TCP
10	1602 278 20X0	Motor Cover Assembly	60CAS
11	1601 169 10X9	Temperature Control Assembly	MTFTC
12 - 1	5230 049 00X0	Basket	80B
12 - 2	5230 052 00X0	Basket	80BB
13	1610 140 00X9	Cooling Unit	80FCU
14	6055 054 20X9	Evaporator Thermistor	560EVAPE
15	4223 050 00X9	Holder	TH
16	4330 048 00X0	Cover	80EVAPPCPL
17	4301 129 00X9	"I" Plate	560FIP
18	1600 468 00X9	Cabinet Assembly	80CAB
19 - 1	6240 005 30X9	Thermometer	60DT
19 - 2	3221 592 00X0	Plate	60DTP
20	1601 176 10X9	Power Supply	PSMTF60
21	1609 289 10X9	Motor Fan Assembly	560EFM
22	3233 009 30X9	Handle	60CHS
23	4120 139 00X9	Cushion	530DCF
24	3223 093 21X0	Plate	PSP560E
25-1	1912 404 00X9	DC Cord Assembly	JCORD
25-2	4229 015 10X0	Cap	
26	1912 116 60X9	AC Cord Assembly	KCORD
27	4160 063 00X0	Bushing	514EVAPPS
28	4220 067 10X0	Holder	EH
29	1609 063 00X0	Chain	560DC
30	3604 030 00X0	Holder	560DCH
		Cushion Swing Motor Grommet	SMCG
		Cushion Swing Motor Grommet Top	SMCGT
		Speed Nut Swing Motor	SNSM

31	5008 048 00X0	M4 X 8	560DLASCREW
32	8083 044 1230	M4 X 12	560HSCREW
33	8083 043 1210	M4 X 12	560CUSCREW
34	5008 043 0810	M4 X 8	560PSSCREW
35	8001 060 1410	M6 X 14	560CFSCREW
36	8083 044 1210	M4 X 12	560HSCREW
37	8080 041 2520	M4 X 16	EHSCREW
38	8050 040 1040	M4 X 10	560CHSCREW
39	8083 044 1220	M4 X 12	560HSCREW
40	8080 044 1620	M4 X 16	560DCHSCREW