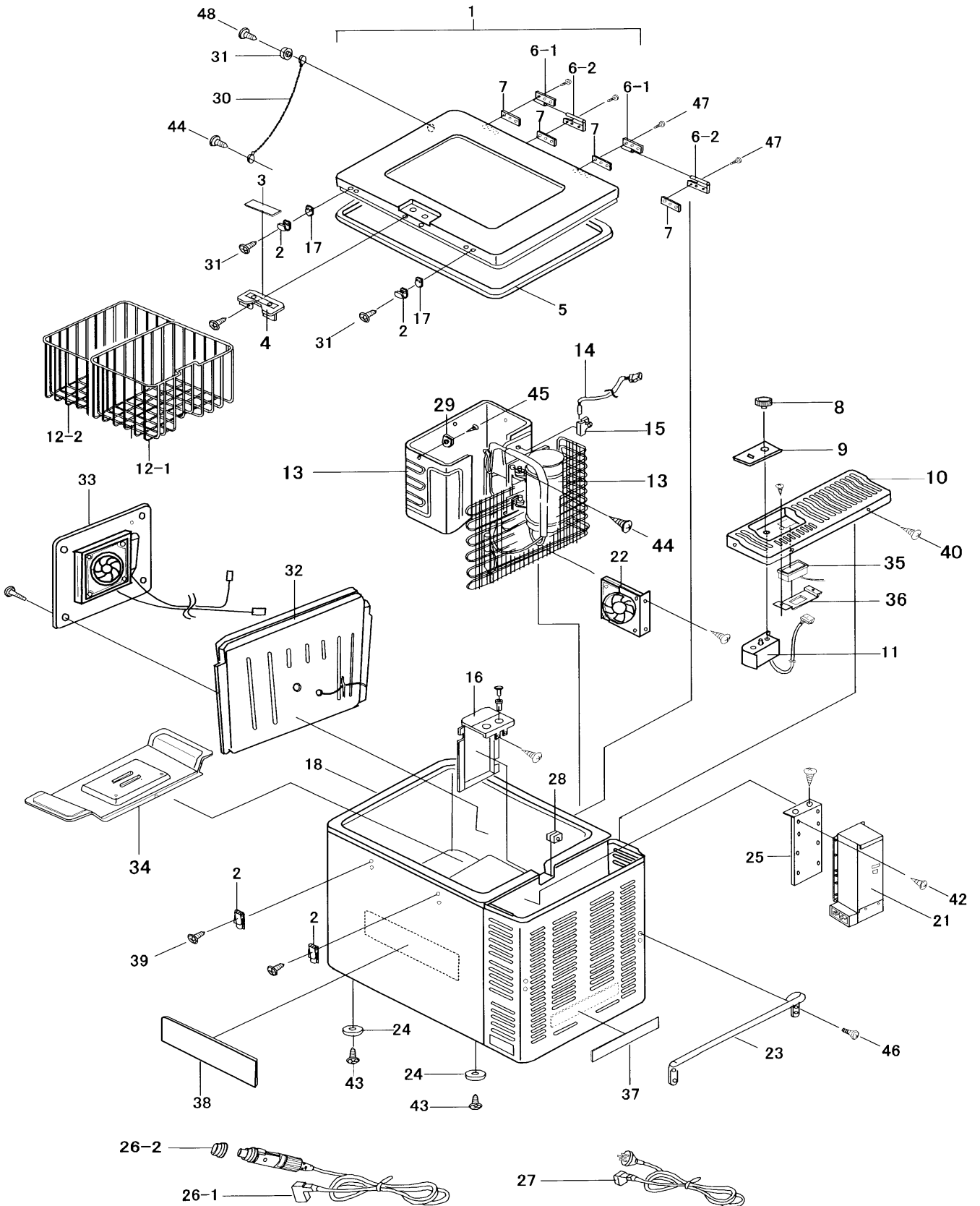


MT80F-G4C-S



Model : MT80FCS

Illustration Number	Japanese Part Number	Description	Australian Part Number
1	1600 555 00X9	Door Assembly	60DS
2	6260 008 00X9	Latch Assembly	560DLA
3	5450 821 00X9	Mark	MRFTDNP
4	4225 004 01X0	Door Handle	530DHA
5	4148 008 00X9	Gasket	560DG
6 - 1	3221 176 00X9	Hinge Assembly	DH560
6 - 2	1609 061 00X9	Hinge Assembly	DHP560
7	4301 118 10X0	"I" Plate	560DHPL
8	1602 067 00X8	Dial Assembly	TDK
9	5450 891 00X9	Mark	60CTCP
10	1602 278 20X0	Motor Cover Assembly	60CAS
11	1601 169 10X9	Temperature Control Assembly	MTFTC
12 - 1	5230 051 00X0	Basket (Freezer)	80CFB
12 - 2	5230 050 00X0	Basket (Refrigerator)	80CRB
13	1610 141 00X9	Cooling Unit	80FCUC
14	6055 054 20X9	Evaporator Thermistor	560EVAPE
15	4223 050 00X9	Holder	TH
16	4330 048 00X0	Cover	80EVAPPCPL
17	4301 129 00X0	"I" Plate	560FIP
18	1600 551 00X0	Cabinet Assembly	80CABC
21	1601 196 00X9	Power Supply	PSMTF60C
22	1609 289 10X9	Motor Fan Assembly	560EFM
23	3233 009 30X9	Handle	60CHS
24	4120 139 00X9	Cushion	530DCF
25	3203 038 00X0	Plate	PSP560E
26 - 1	1912 404 00X9	DC Cord Assembly	JCORD
26 - 2	4229 015 10X0	Cap	
27	1912 116 60X9	AC Cord Assembly	KCORD
28	4160 063 10X0	Bushing	514EVAPPS
29	4220 067 10X0	Holder	EH
30	1609 063 00X0	Chain	560DC
31	3604 030 00X0	Holder	560DCH
32	1602 279 00X9	Separator Assembly	60CSA
33	1609 469 00X9	Fan with Thermostat	60CFA
34	1609 480 00X0	Inner Door	60CFD
35	6240 005 30X9	Thermometer	60DT
36	3221 592 00X0	Plate	60DTP
37	5450 840 30X0	Label	80PLATE
38	5450 890 00X0	Label	CPLATE
		Cushion Swing Motor Grommet	SMCG
		Cushion Swing Motor Grommet Top	SMCGT
		Speed Nut Swing Motor	SNSM

39	5008 048 00X0	M4 X 8	560DLASCREW
40	8083 044 1230	M4 X 12	560HSCREW
41	8083 043 1210	M4 X 12	560CUSCREW
42	5008 043 0810	M4 X 8	560PSSCREW
43	8001 060 1410	M6 X 14	560CFSCREW
44	8083 044 1210	M4 X 12	560HSCREW
45	8080 041 2520	M4 X 16	EHSCREW
46	8050 040 1040	M4 X 10	560CHSCREW
47	8083 044 1220	M4 X 12	560HSCREW
48	8080 044 1620	M4 X 16	560DCHSCREW