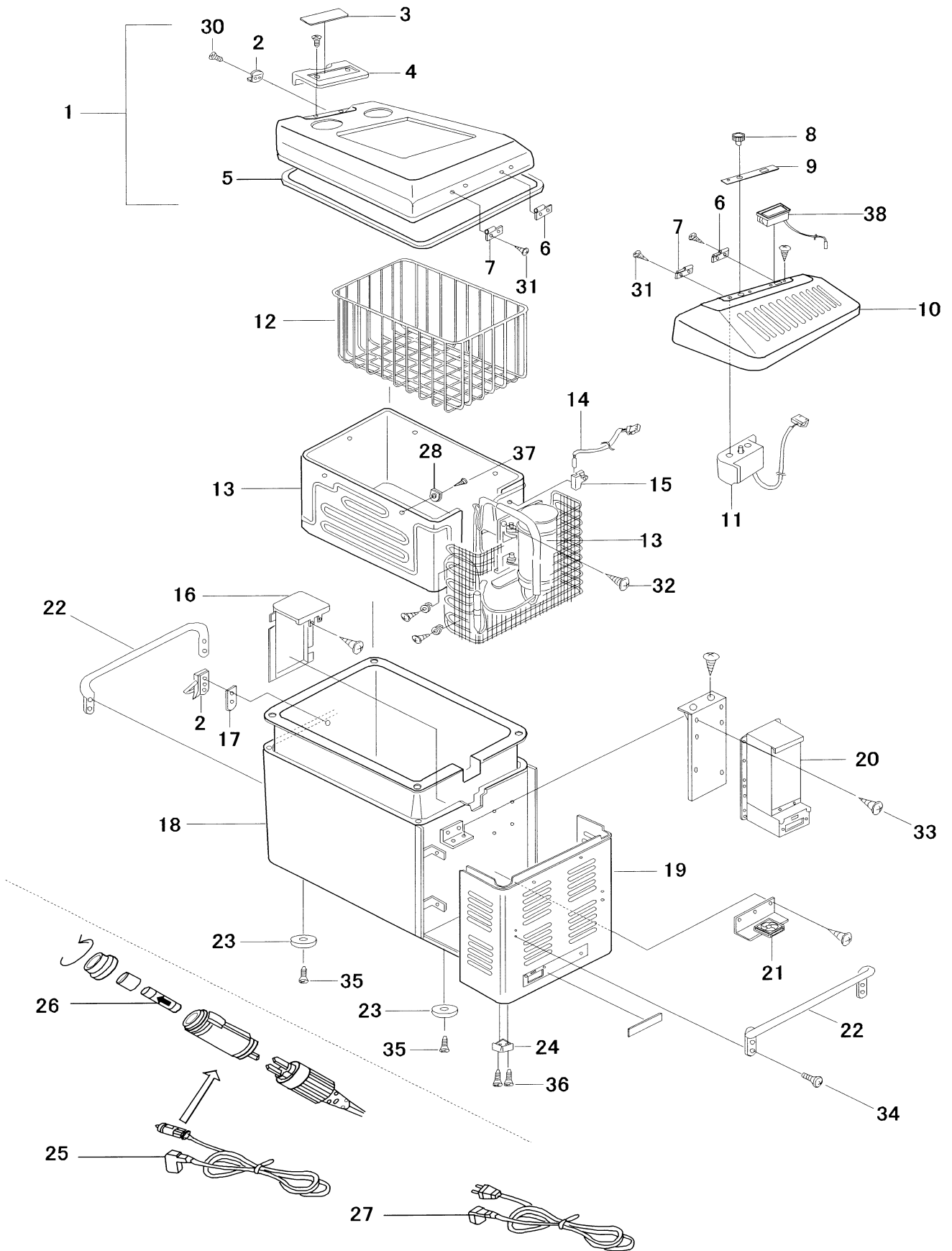


MT35F-G4-D
MT35F-G4-S



Model : MT35F-D
MT35FS

Illustration Number	Japanese Part Number	Description	Australian Part Number
1 - 1	1600 448 00X9	Door Assembly (MT35F-D)	35/45FDGREY
1 - 2	1600 448 30X9	Door Assembly (MT35FS)	45FDS
2	1609 356 00X9	Latch Assembly	35/45FDLA
3	5450 821 00X9	Mark	MRFTDNP
4	4225 004 01X9	Door Handle	530DHA
5	4148 031 00X9	Gasket	35/45FDG
6	1609 345 00X9	Hinge Assembly (Set, Regular Pin)	35/45FHA
7	1609 345 20X9	Hinge Assembly (Set, Short Pin)	35/45FHAS
8	1602 067 00X8	Dial Assembly	TDK
9	5450 822 60X9	Mark	35/45FTCP/1
10 - 1	1602 280 20X9	Cover Assembly (MT35F-D)	35/45FCAGREY
10 - 2	1602 280 00X9	Cover Assembly (MT35FS)	45FCAS
11	1601 169 10X9	Temperature Control Assembly	MTFTC
12	5230 037 00X9	Basket	35FB
13	1610 115 00X9	Cooling Unit	35FCU
14	6055 054 10X9	Evaporator Thermistor	T515EVAP-E
15	4223 050 00X9	Holder	TH
16	4330 039 00X9	Cover Pipe	EVAPPC
17	4301 130 00X9	"I" Plate	35/45FIP
18 - 1	1600 446 00X9	Cabinet Assembly (MT35F-D)	35FCABGREY
18 - 2	1600 446 30X9	Cabinet Assembly (MT35FS)	35FCABS
19 - 1	1609 346 00X9	Case Cover Assembly (MT35F-D)	35FCAGT
19 - 2	1609 347 00X9	Case Cover Assembly (MT35FS)	35FCCAS
20	1601 168 00X9	Power Supply	PSMTF15
21	6080 007 20X9	Motor Fan	35FFM
22 - 1	3222 010 00X9	Handle (MT35F-D)	530CHGREY
22 - 2	3223 010 30X9	Handle (MT35FS)	45CHS
23	4120 139 00X9	Cushion	530DCF
24	4274 009 30X9	Corner Cushion	35/45FCC
25	1912 404 00X9	DC Cord Assembly	JCORD
26	1603 002 00X8	12 Volt Thermal Fuse	12VFUSE
27	1912 116 60x9	AC Cord Assembly	KCORD
28	4220 067 10X0	Holder	EH
		Door Cushion (Left)	35/45FDCL
		Door Cushion (Right)	35/45FDCR
38	6240 005 20X9	Thermometer	60DT
		Cushion Swing Motor Grommet	SMCG
		Cushion Swing Motor Grommet Top	SMCGT
		Speed Nut Swing Motor	SNSM
		Mat	540MAT

30	8081 034 1220	M3 X 12	35/45FLSCREW
31	8010 040 1440	M4 X 14	35/45FHSCREW
32	8083 043 1210	M4 X 12	35/45FCSCREW
33	8084 043 0810	M4 X 8	35/45FPSCREW
34	8050 040 1040	M4 X 10	35/45FCHSCREW
35	8000 016 1610	M6 X 8	35/45FCFSCREW
36	8083 044 1210	M4 X 12	35/45FCCSCREW
37	8081 044 2520	M4 X 25	35/45FEHSCREW